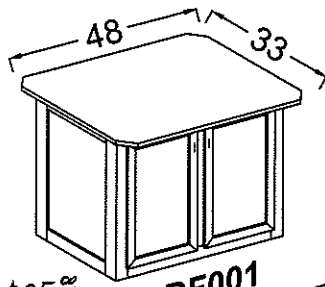
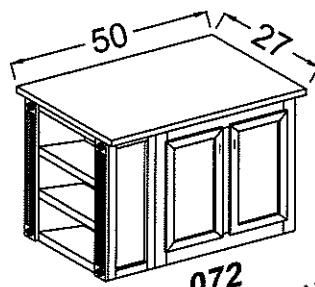


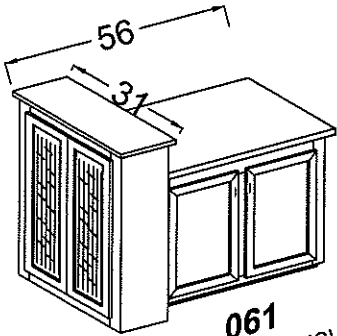
\$250⁰⁰
013
 (AVAILABLE IN GRANITE)



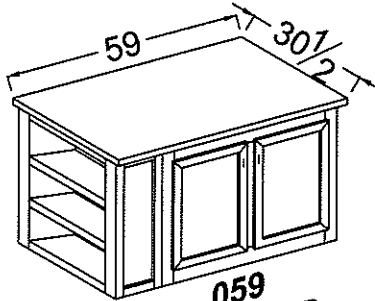
\$295⁰⁰
DF001
 (AVAILABLE IN GRANITE)



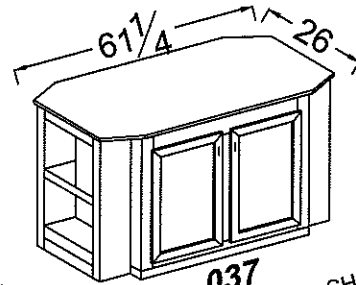
\$295⁰⁰
072
 OPEN SHELF ISLAND
 (AVAILABLE IN GRANITE)



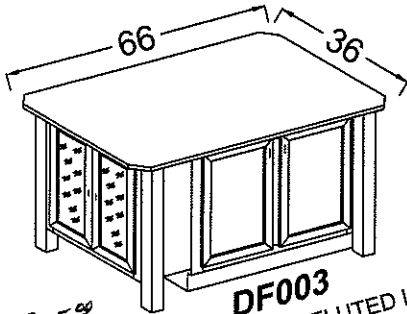
\$375⁰⁰
061
 CURIO KITCHEN ISLAND



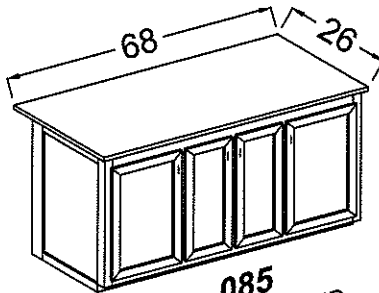
\$325⁰⁰
059
 OPEN ISLAND
 (AVAILABLE IN GRANITE)



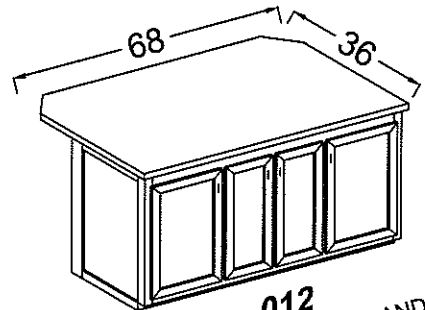
\$300⁰⁰
037
 KITCHEN ISLAND W/ END SHELVES
 (AVAILABLE IN GRANITE)



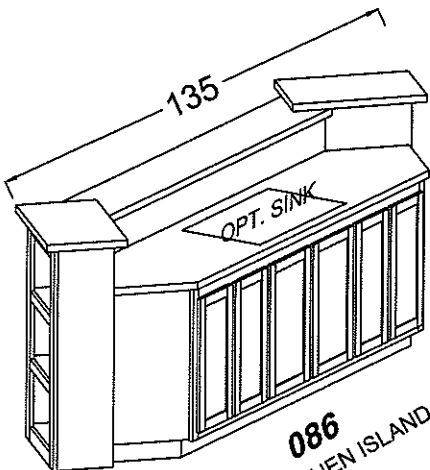
\$365⁰⁰
DF003
 SMALL ISLAND W/ FLUTED LEGS
 (AVAILABLE IN GRANITE)



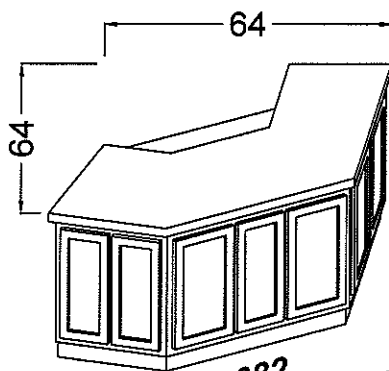
\$335⁰⁰
085
 KITCHEN ISLAND



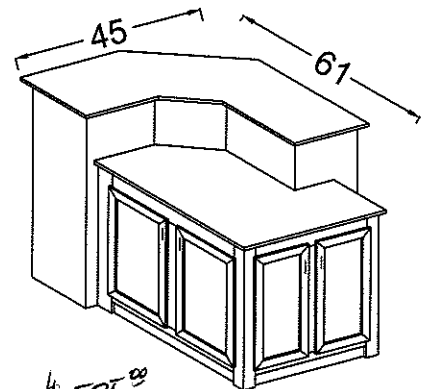
\$350⁰⁰
012
 LARGE KITCHEN ISLAND



\$595⁰⁰
086
 86" KITCHEN ISLAND



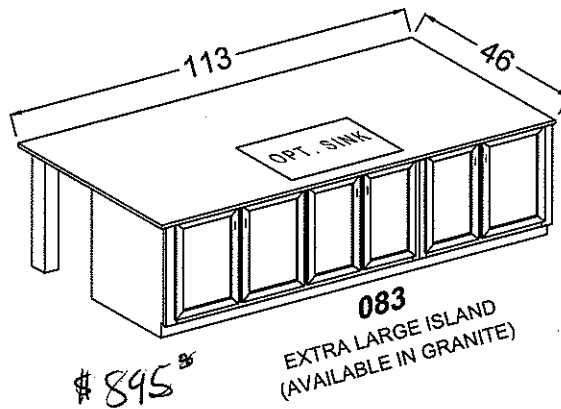
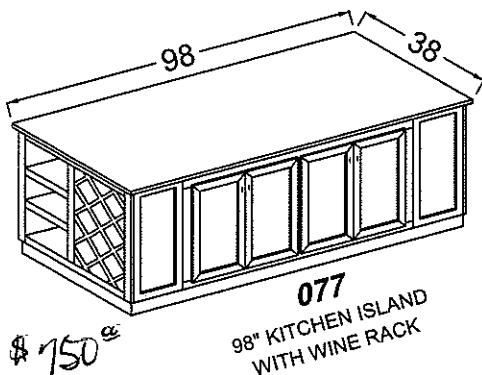
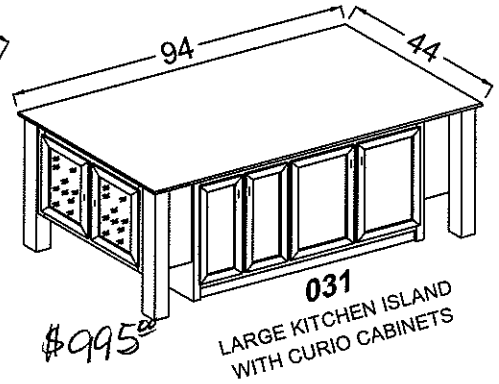
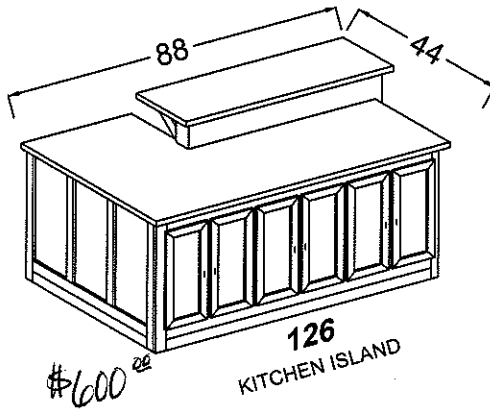
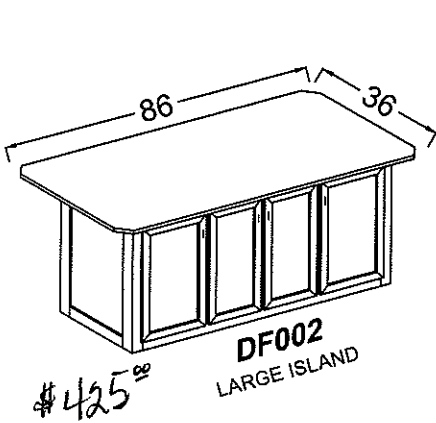
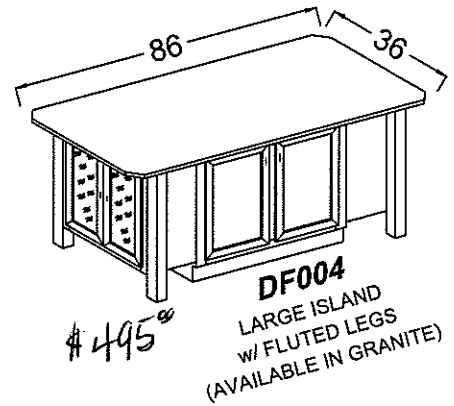
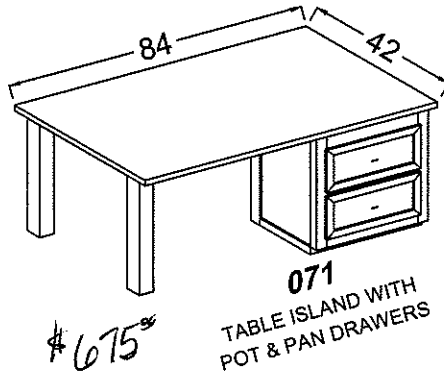
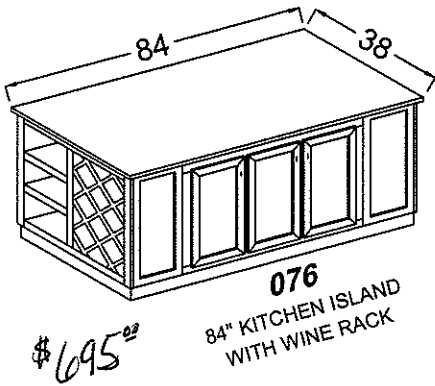
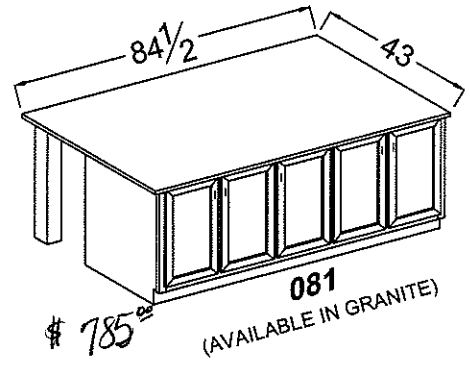
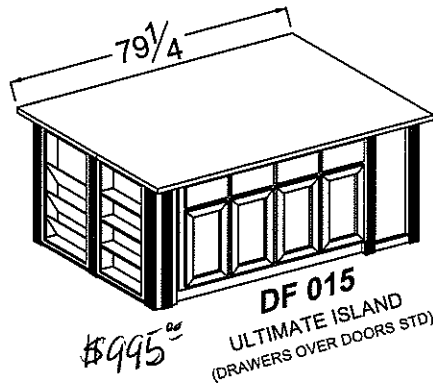
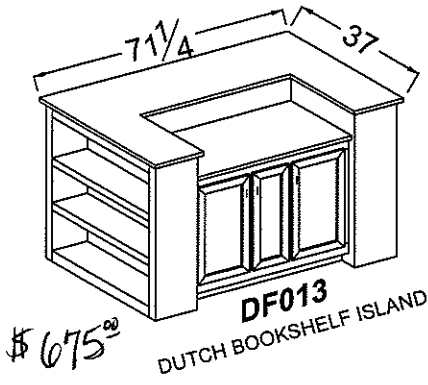
\$495⁰⁰
082
 64" x 64" KITCHEN ISLAND



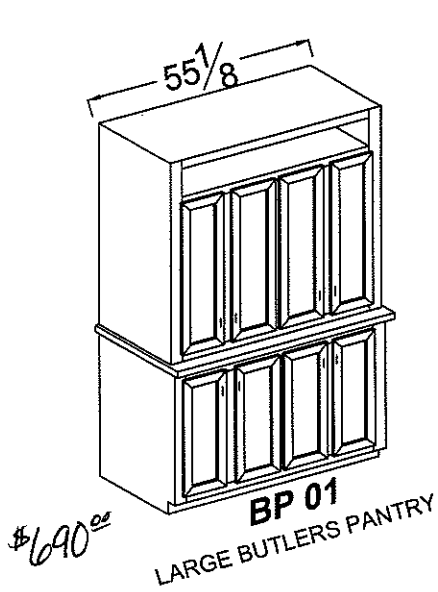
\$535⁰⁰
032
 KITCHEN ISLAND WITH BAR

DRAWERS & DOORS TO BE BUILT AS SHOWN REGARDLESS OF SPEC FOR THESE OPTIONAL CABINETS.
 ALL OPTIONS MUST BE CHECKED BY ENGINEERING FOR FIT BEFORE ORDERING.

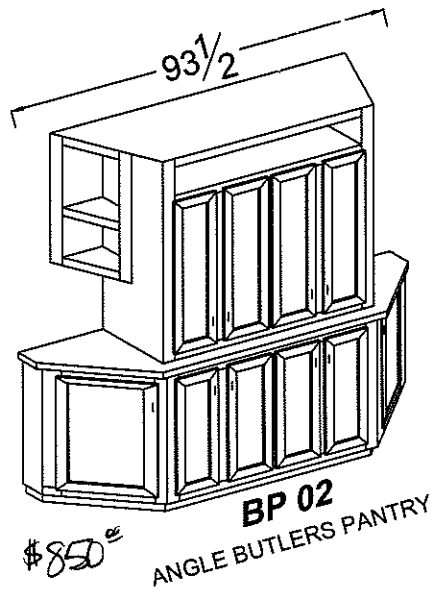
INFORMATION CONTAINED HEREIN IS CONFIDENTIAL AND PROPRIETARY AND MAY NOT BE COPIED EXCEPT FOR AUTHORIZED PURPOSES



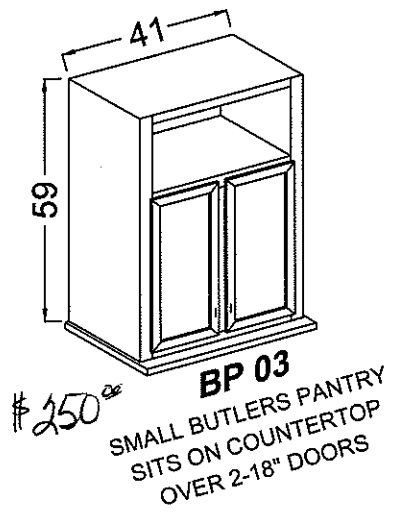
DRAWERS & DOORS TO BE BUILT AS SHOWN REGARDLESS OF SPEC FOR THESE OPTIONAL CABINETS.
ALL OPTIONS MUST BE CHECKED BY ENGINEERING FOR FIT BEFORE ORDERING.
INFORMATION CONTAINED HEREIN IS CONFIDENTIAL AND PROPRIETARY AND MAY NOT BE COPIED EXCEPT FOR AUTHORIZED PURPOSES



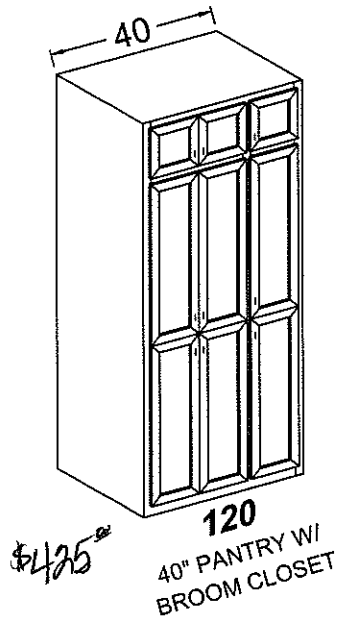
\$690^{ea}



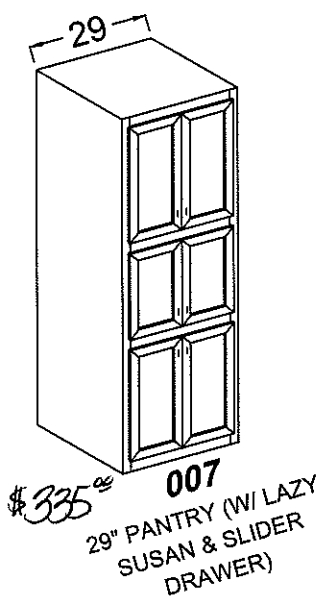
\$850^{ea}



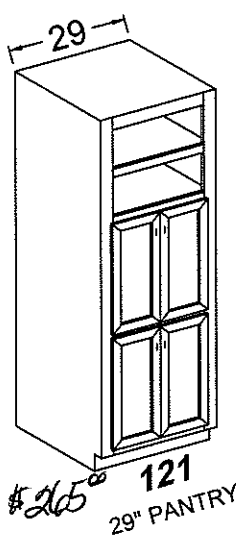
\$250^{ea}



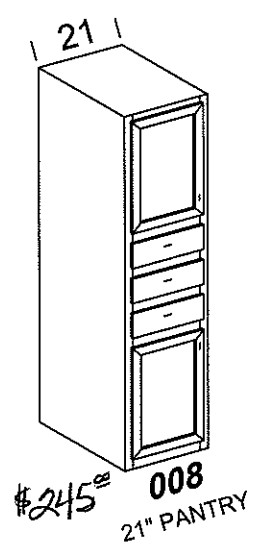
\$425^{ea}



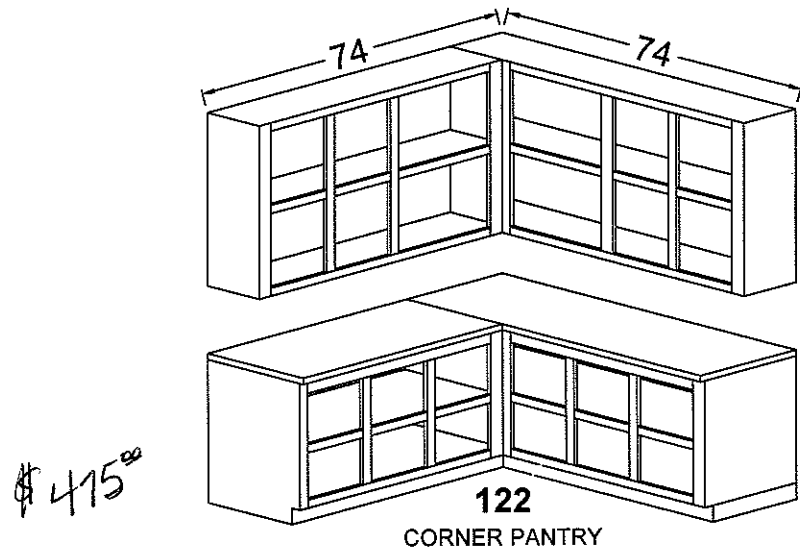
\$335^{ea}



\$265^{ea}

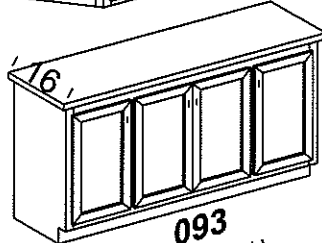
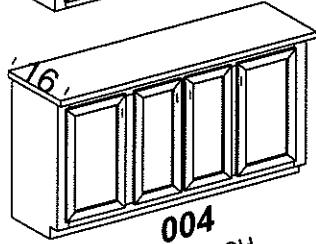
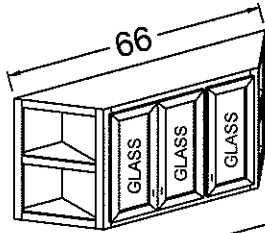
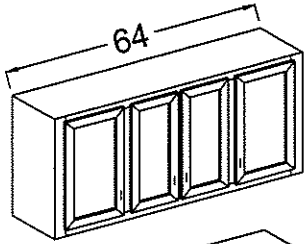


\$245^{ea}



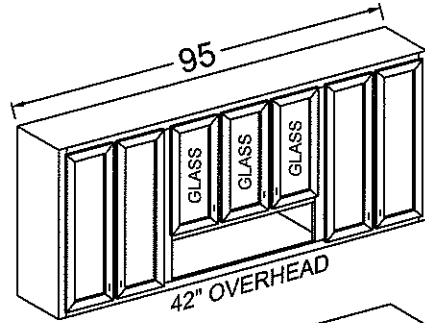
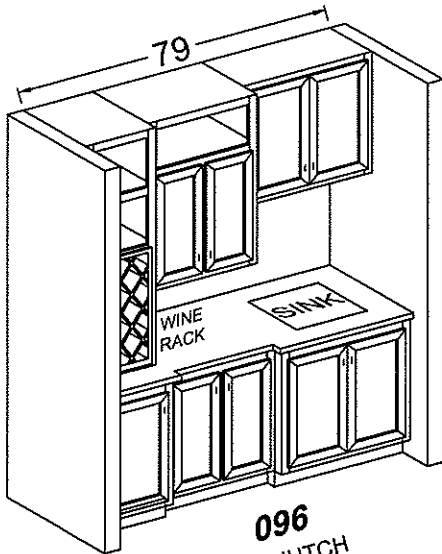
\$475^{ea}

DRAWERS & DOORS TO BE BUILT AS SHOWN REGARDLESS OF SPEC FOR THESE OPTIONAL CABINETS.
ALL OPTIONS MUST BE CHECKED BY ENGINEERING FOR FIT BEFORE ORDERING.
INFORMATION CONTAINED HEREIN IS CONFIDENTIAL AND PROPRIETARY AND MAY NOT BE COPIED EXCEPT FOR AUTHORIZED PURPOSES



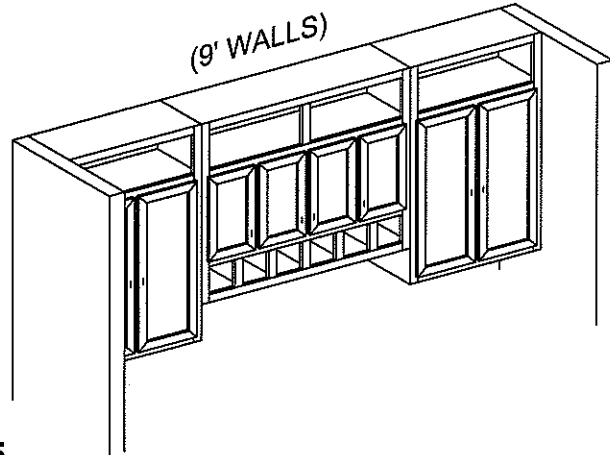
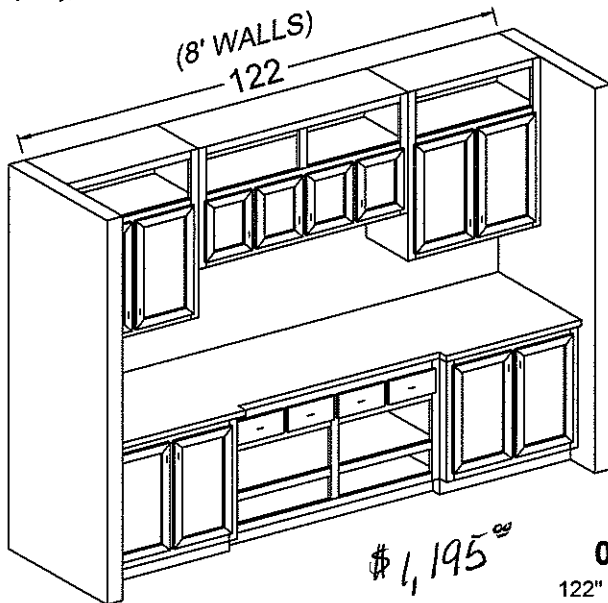
004
64" HUTCH
\$545^{ea}

093
66" HUTCH
\$395^{ea}



096
79" HUTCH
\$925^{ea}

094
95" HUTCH
\$505^{ea}



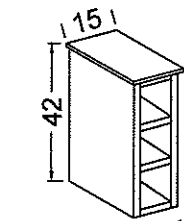
095
122" HUTCH
\$1,195^{ea}

DRAWERS & DOORS TO BE BUILT AS SHOWN REGARDLESS OF SPEC FOR THESE OPTIONAL CABINETS.
ALL OPTIONS MUST BE CHECKED BY ENGINEERING FOR FIT BEFORE ORDERING.

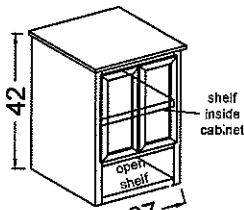
INFORMATION CONTAINED HEREIN IS CONFIDENTIAL AND PROPRIETARY AND MAY NOT BE COPIED EXCEPT FOR AUTHORIZED PURPOSES



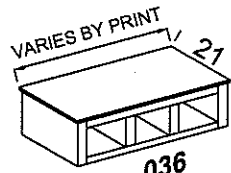
308 SHERIDAN DRIVE TORONTO, ON M6S 1S7



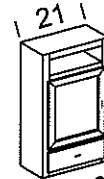
\$125^{ea} **074**
REDMAN HALF
STACK LINEN



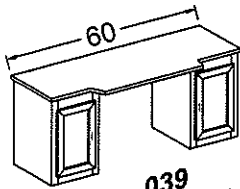
\$135^{ea} **078**
HALF-STACK LINEN
w/ DOORS



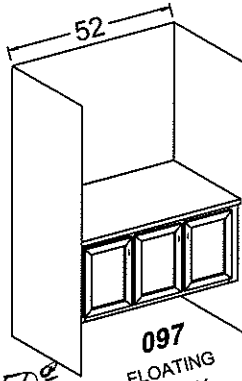
\$200^{ea} **036**
BENCH /
WINDOW SEAT



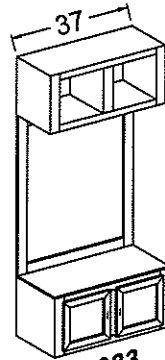
\$125^{ea} **019**
21" LINEN OVER
COMMODOE



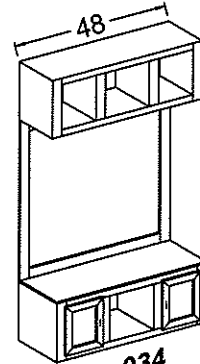
\$225^{ea} **039**
60" VANITY w/
MIRROR & LIGHT



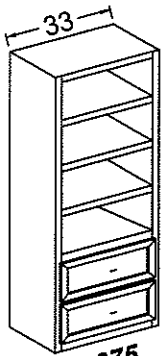
\$450^{ea} **097**
FLOATING
VANITY
w/ MIRROR



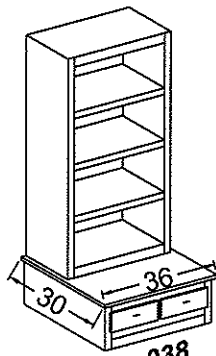
\$225^{ea} **033**
SMALL HALL TREE
WITH BENCH



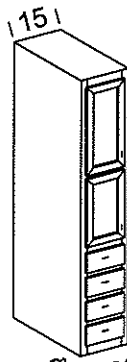
\$275^{ea} **034**
LARGE HALL TREE
WITH BENCH



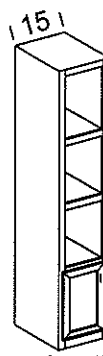
\$220^{ea} **075**
CLOSET
ORGANIZER



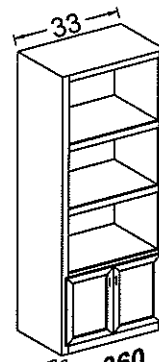
\$350^{ea} **038**
CLOSET
BENCH



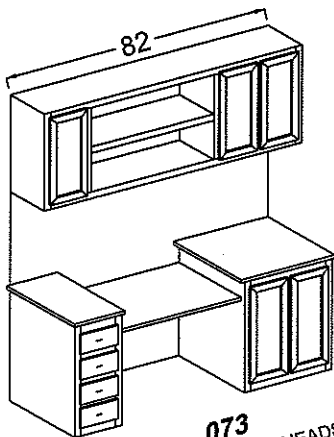
\$225^{ea} **006**
15" LINEN



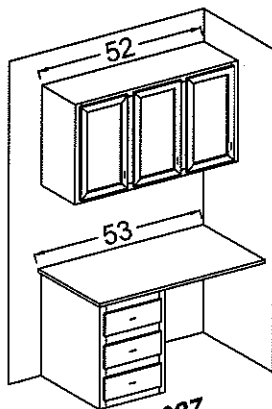
\$120^{ea} **058**
15" BOOK
CASE



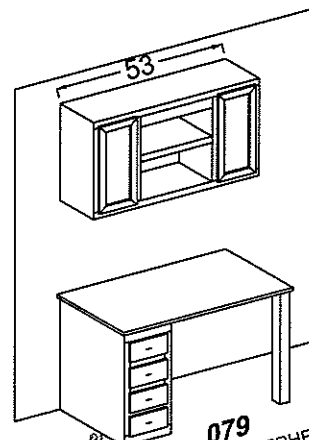
\$165^{ea} **060**
33" BOOK
CASE



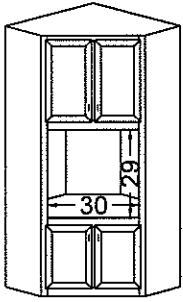
\$425^{ea} **073**
82" DESK w/ OVERHEADS



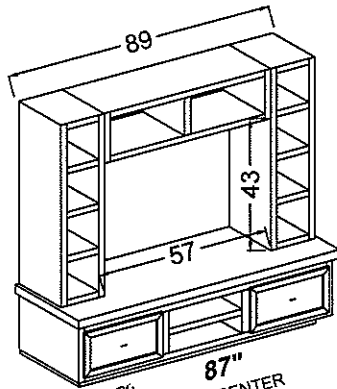
\$310^{ea} **027**
52" DESK w/ OVERHEADS



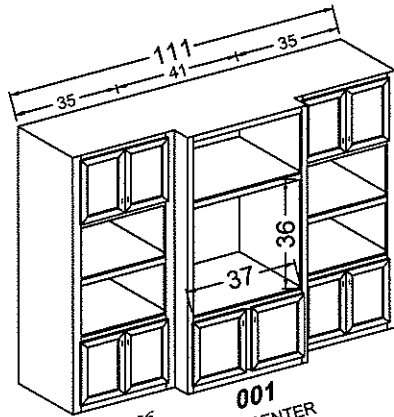
\$465^{ea} **079**
53" DESK w/ OVERHEAD
& FLUTE LEG



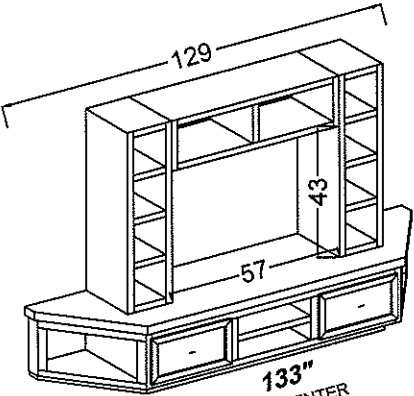
022
ENT. CENTER
\$255⁰⁰



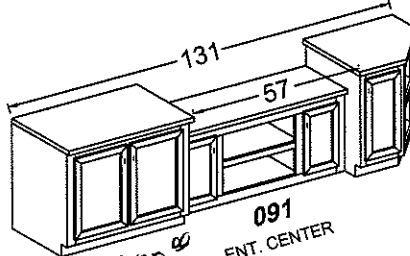
87"
ENT. CENTER
\$535⁰⁰



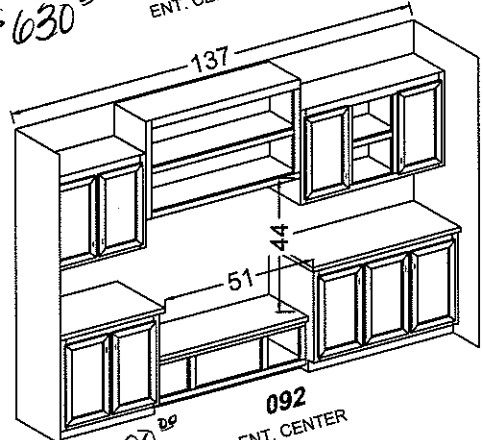
001
ENT. CENTER
\$630⁰⁰



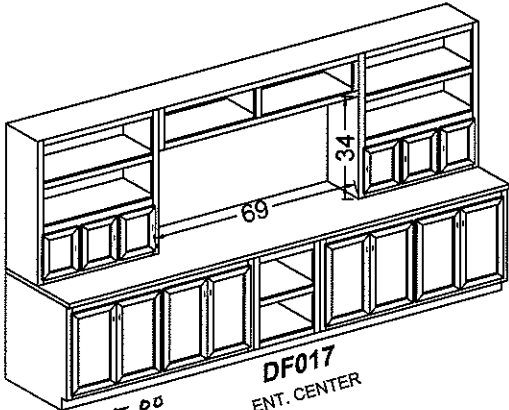
133"
ENT. CENTER
\$635⁰⁰



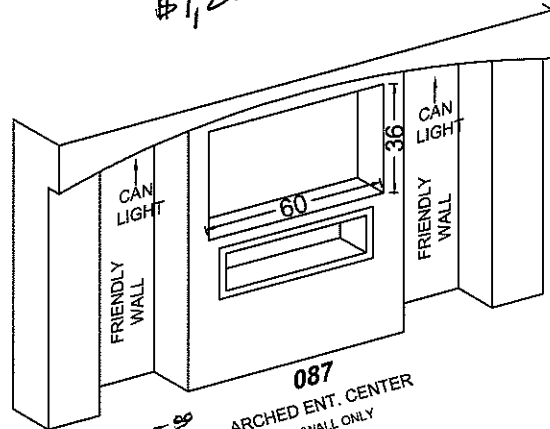
091
ENT. CENTER
\$420⁰⁰



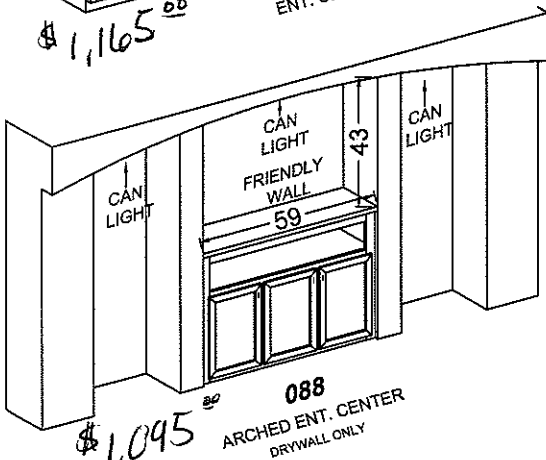
092
ENT. CENTER
\$1,200⁰⁰



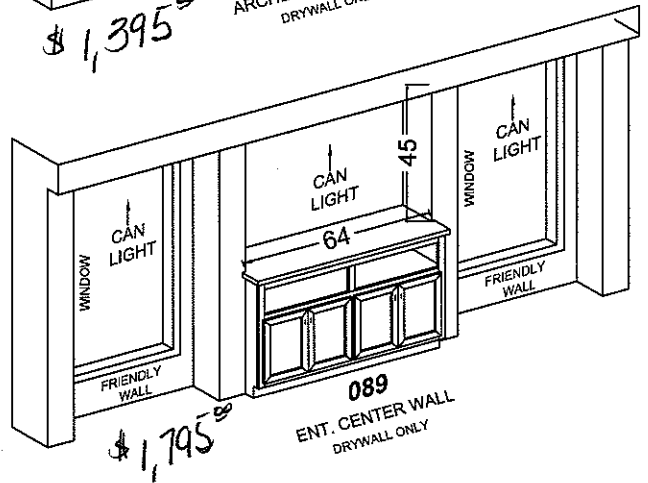
DF017
ENT. CENTER
\$1,165⁰⁰



087
ARCHED ENT. CENTER
DRYWALL ONLY
\$1,395⁰⁰

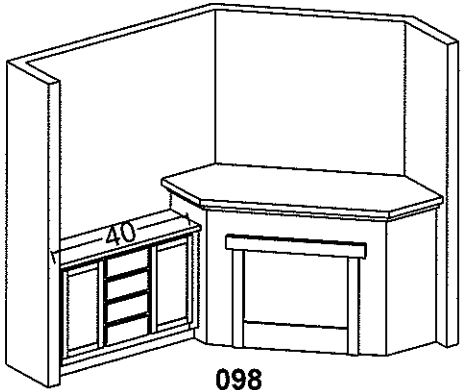


088
ARCHED ENT. CENTER
DRYWALL ONLY
\$1,095⁰⁰

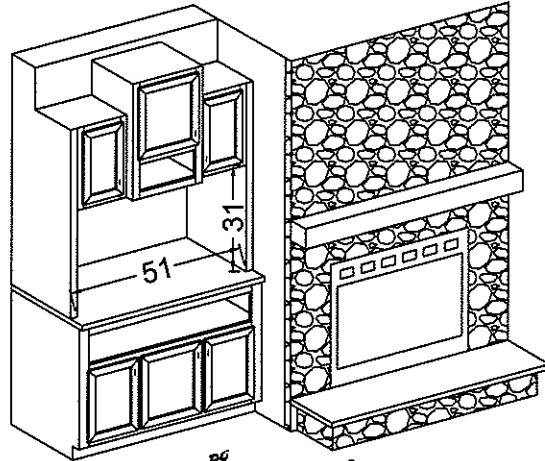


089
ENT. CENTER WALL
DRYWALL ONLY
\$1,795⁰⁰

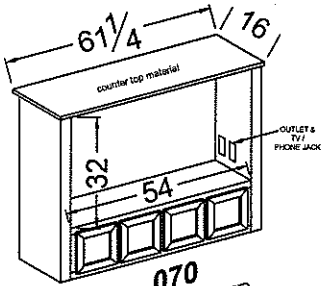
DRAWERS & DOORS TO BE BUILT AS SHOWN REGARDLESS OF SPEC FOR THESE OPTIONAL CABINETS.
ALL OPTIONS MUST BE CHECKED BY ENGINEERING FOR FIT BEFORE ORDERING.
INFORMATION CONTAINED HEREIN IS CONFIDENTIAL AND PROPRIETARY AND MAY NOT BE COPIED EXCEPT FOR AUTHORIZED PURPOSES



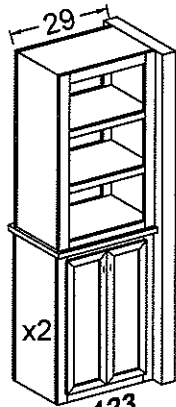
098
ELECTRIC FIREPLACE
\$1,295^{ea}



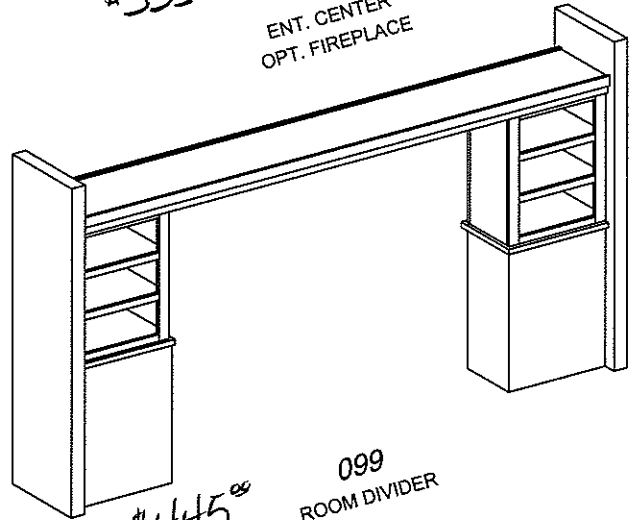
090
ENT. CENTER
OPT. FIREPLACE
\$535^{ea}



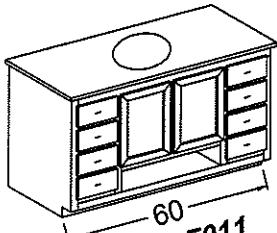
070
ROOM DIVIDER
ENT. CENTER
\$350^{ea}



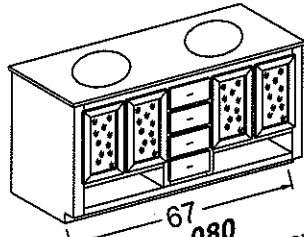
123
ROOM
DIVIDER
\$530^{ea}



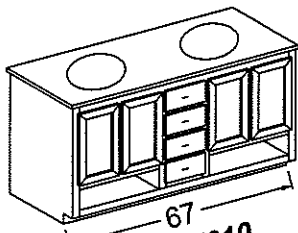
099
ROOM DIVIDER
\$445^{ea}



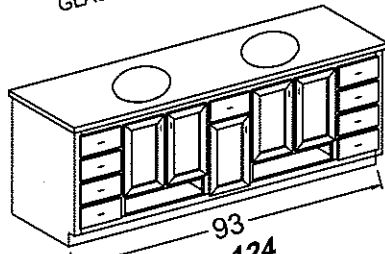
DF011
DUTCH SINGLE BOWL
FURNITURE STYLE VANITY
(CRS REQUIRED)
\$195^{ea}



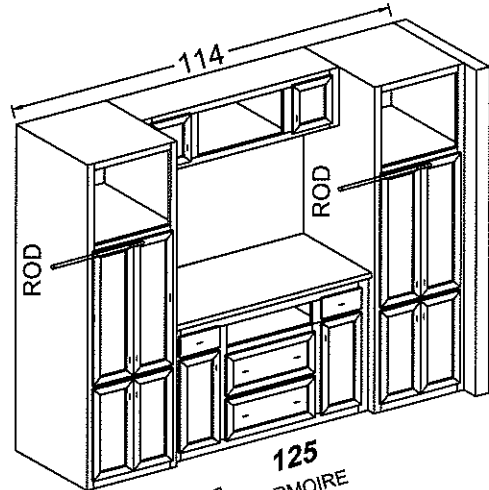
080
REDMAN DOUBLE BOWL
FURNITURE STYLE VANITY
(CRS REQUIRED)
GLASS DOORS N/A W/ WRAPPED DOOR
\$195^{ea}



DF010
DUTCH DOUBLE BOWL
FURNITURE STYLE VANITY
(CRS REQUIRED)
\$195^{ea}



124
DOUBLE BOWL
FURNITURE STYLE VANITY
(CRS REQUIRED)
\$370^{ea}



125
ARMOIRE
\$1,095^{ea}



DRAWERS & DOORS TO BE BUILT AS SHOWN REGARDLESS OF SPEC FOR THESE OPTIONAL CABINETS.
ALL OPTIONS MUST BE CHECKED BY ENGINEERING FOR FIT BEFORE ORDERING.
INFORMATION CONTAINED HEREIN IS CONFIDENTIAL AND PROPRIETARY AND MAY NOT BE COPIED EXCEPT FOR AUTHORIZED PURPOSES